

Saphira C8

USER MANUAL



Contents

Safety Precautions	3
Steam Cleaner Description.....	4
Components.....	5
Accessories.....	5
Standard Accessories	5
Optional Accessories.....	5
Before Switching On.....	6
Water Quality.....	7
Filling with Water	7
Attaching/Removing the Hose.....	7
Using Your Appliance	7
Turning on the SW9	7
Steam Operation.....	7
Accessories Guide	8
Optional Accessories.....	10
Maintenance	11
Accessory Maintenance	12
Boiler maintenance.....	12
Servicing	13
Warranty	13
Warranty Terms and Conditions.....	13
Making a Warranty Claim	13

Safety Precautions

- Carefully read all the safety warnings and precautions in these instructions as they provide important information for the safe assembly, use and maintenance of the steam generator.
- After removing the packaging, check that the steam generator is undamaged. If in any doubt, do not use the appliance and instead contact an authorised service agent. The packaging materials must be kept out of reach of children as they could pose a health and safety risk.
- This appliance must only be used in accordance with these instructions. It is to be used as a steam generator with steam cleaning accessories to clean flooring, walls, upholstery, tiles, windows, fabrics and bench tops. The manufacturer cannot be held liable for improper, incorrect or unreasonable use of this steam generator or its accessories. The user is solely responsible for ensuring that the item to be cleaned will not be damaged/discoloured by subjecting it to steam at high temperatures nor that the accessories will damage the item being cleaned.

WARNING !

- There are no components serviceable by the user inside this appliance with exception to draining the boiler, all maintenance **MUST** be carried out by authorised personnel.
- This steam generator **MUST** be earthed.
- Never use extension leads without an earth or the appropriate safety marks
- Never use the appliance barefoot
- Never aim the steam at people or animals
- Never aim the steam at electrical switches, socket outlets or any electrical appliances
- Never pull the mains lead or the appliance itself to unplug from the mains supply
- Never allow the mains cord to rub against sharp edges; do not trap the cord between doors, windows or drawers
- Always check that the mains cord and plug are in good condition before use
- Protect the mains cord from heat, steam and oil
- Never allow children to operate this appliance
- Never allow inexperienced users to operate this appliance without supervision
- Never leave the steam generator unattended when switched on
- Never leave the appliance unprotected from the weather (sun, ice, rain, frost, etc)
- Never store the appliance in an area that is likely to freeze
- Never immerse in water
- Never overfill the water tank
- Never direct the steam into the steam generator or steam hose
- Never use any accessory that is damaged
- Never put the steam generator away while it is still hot, wait until it has completely cooled down
- Never steam synthetic velvet
- Only fill or top up the tank with clean tap water
- Only use the machine on a flat surface with all wheels touching the floor
- Always check in an inconspicuous area that the item to be cleaned will not be damaged or discolour
- Always keep the steam generator away from heat sources such as fires, radiators, direct sunlight, etc.
- During use the steam generator can reach very high temperatures, take care not to touch any metal or any of the steam jets from the machine, accessories or hoses.
- Always unplug at the mains;
 - Before emptying the boiler;
 - Before cleaning the appliance;

- When interrupting its use, even for short periods.
- A safety pressure relief valve is fitted inside the appliance, it MUST only be replaced by an authorised service personnel.
- The steam generator is fitted with a safety overload cut-out that MUST only be replaced by an authorised service personnel.
- In the event of a breakdown and/or malfunction, unplug the mains socket and do not tamper. Contact the authorised service personnel for advice or repair. Any tampering with this appliance could create a serious safety hazard.
- If the mains cord on this appliance is damaged, it MUST be replaced by authorised service personnel to prevent a safety hazard.
- Every time the steam generator heats up from cold, the air inside the appliance prevents steam from being delivered immediately. After one minute of heating up, activate the steam on the maximum setting to dispel this air.
- Electrical or electronic appliances (computers, tv, radio, lights, telephones, etc) should never be cleaned with steam as this could cause damage or create a safety hazard, even if these are not connected to the mains supply.
- Never put detergents, perfumes, any other chemical substances or debris in the water tank with the exception of products indicated by Steam Australia.
- Fill the tank with clean water, use a funnel and take care not to overfill. Fill to just below the filler cap and refit the water tank cap.

Steam Cleaner Description

The Saphira C8 permits cleaning and sanitising without the need to use chemicals. Steam cleaning is hygienic and helps us reduce our water and chemical consumption making us more environmentally responsible. High temperature steam removes dirt, kills bacteria and dust mites. It can be used on many different of surfaces including: ceramic floor tiles, stone floors, parquet flooring, vinyl floors, carpets, rugs, wooden ceilings, wall paper, windows, mirrors, sanitary ware, taps, cooking surfaces, ovens, grills, radiators, window and door frames, furniture, fireplaces, cars, seats etc. Steam can be generated continuously by topping up the water tank.

Steam Cleaning is different to traditional cleaning as we are super heating the water to over 170°C and in most cases, we will only use the steam and the super-heated water vapour to sanitise and clean at the same time. This means we use a very small amount of water over the duration of our clean and the higher pressures reduces the amount of “elbow grease” required.

NOTE: Steam can cause damage, please read all instructions carefully and understand the safety instructions before use.

Components

1. Water Tank Cap
2. Machine Ready Light
3. Pressure Gauge
4. Wheels
5. Water Tank Empty Light
6. Mains ON/OFF Switch
7. Steam Hose Socket



Accessories

Standard Accessories

- | | | | |
|--------------|-----------------------------------|---------------|----------------------------------|
| 1. AC8000037 | Hose Button Controlled 2.5m | 10. AC8000002 | Detail Nozzle |
| 2. AC8000011 | 500mm Extension tube | 11. AC0010022 | Brush Round Nylon 30mm |
| 3. AC8000003 | 250mm Extension tube | 12. AC0010021 | Brush Round Nylon 38mm |
| 4. AC8000061 | Triangle Brush Red Bristles | 13. AC0010001 | Brush Round Nylon 60mm |
| 5. AC0030002 | Triangular Cushion | 14. AC0010023 | Brush Round Stainless Steel 30mm |
| 6. AC8000005 | Brush Rectangular S/O Floor 300mm | 15. AC0010025 | Brush Round Stainless Steel 38mm |
| 7. AC0030001 | Cushion Rectangular 300mm White | 16. AC0000005 | Microfibre White Cloth |
| 8. AC8000006 | Window Squeegee S/O 250mm Insert | 17. AC0000003 | Anti-limestone Spray 50ml |
| 9. AC8000075 | Window Squeegee S/O insert 350mm | 18. TO3300002 | Tool Boiler Drain Nut |



Optional Accessories

- | | |
|--|--|
| 19. AC8000013 Detail Nozzle Grey | 29. AC0000021 Weed Killer Bell |
| 20. AC8000065 S/O Aluminium Long Nozzle | 30. AC0010020 Brush Round Brass 30mm |
| 21. AC8000040 Mop Head Wall 250mm | 31. AC0010024 Brush Round Brass 38mm |
| 22. AC0020001 Microfibre Mop Pad Wall 250mm | 32. Microfibre Cloth 5 Pack |
| 23. AC8000016 Mop Head Floor 390mm | 33. Steam Australia Accessories Bag |
| 24. AC0020012 Microfibre Mop Pad Floor 390mm | 34. Disposable Microfibre 50 pk / carton (12x50) |
| 25. AC8000124 Iron One Button | 35. Disposable Microfibre 20 pk / carton (28x20) |
| 26. PP1020003 Silicon Iron Rest | 36. Disposable Floor Pads 25 pk / carton (4x25) |
| 27. AC0000009 Scraper | 37. AC8000165 Aroma Therapy Oil Diffuser |
| 28. AC8000004 Plunger | |



Before Switching On

Water Quality

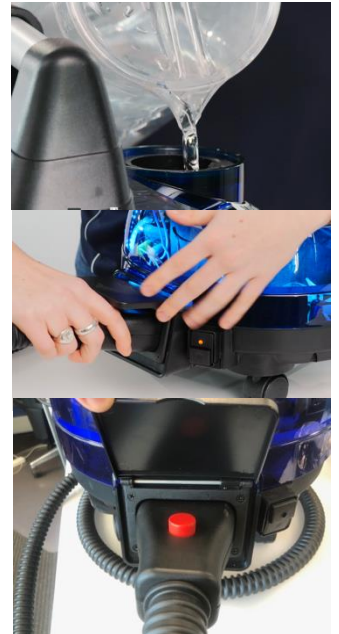
It is important to ensure that only clean water is being used with your machine. Water should be free of any sediment, detergents, oils or other contaminants. If there is any sediment or contaminants coming from your water system filtered water should be used. Water hardness should not exceed 180 parts per million, it is recommended that you check the water quality with your supplier. If water hardness exceeds 180 parts per million the machine should be drained and serviced more frequently. Distilled water should never be used. If the water quality is poor and you have no means of filter the water, you should dilute the tap water with distilled water with a 50:50 mix.

Filling with Water

Open the filler cap, and slowly fill the water tank with clean tap water until the water level reaches the top. Filling with warm water will reduce the heating time. If the water tank overflows, use a rag to absorb the excess water sitting near the intake before replacing the filler cap. Wipe dry any spilled water around the machine as any excess water spillage around the machine can cause electrical and/or slipping hazards if not removed.

Attaching/Removing the Hose

Open the protective flap in front of the machine. Connect the hose by the plug end of the hose into the plug opening of the machine. Make sure that the round red button on the plug end of the hose is facing up (pictured), then push the plug in until it clicks. To remove the hose, press the red button and gently pull the hose plug out.



Using Your Appliance

Turning on the Saphira C8

Plug the cable into a wall outlet. Do NOT use a multi-outlet power-board and avoid using low-quality extension cables. Multi-outlet power boards typically do not have the capacity to accommodate equipment rated at high-wattage making it unsuitable for use with the Saphira C8. If you need to use an extension cable with the Saphira C8, make sure that a “heavy duty” extension cable is used.

Turn the machine on using the black On/Off button. The button will light up and the boiler should start heating up the water. If there is too little water in the boiler, the Saphira C8 will start pumping water from the tank into the boiler which will make the machine vibrate for a little while. It will take approximately 6-8 minutes for the water to heat up to the right temperature and for the pressure to build up to the right amount.

Once the machine is ready for use, the green “Machine Ready” indicator light will turn on.

Steam Operation

Steam levels can be selected using the switches located on the hose handle (i.).





Switch Position	Steam Level
1 (ii.)	Low
2 (iii.)	Medium
3 (iv.)	High

Note: Using the hot water injection continuously will quickly drain the water tank, therefore it is advised that the hot water injection function is to be used only when cleaning hard to remove stained areas.




Accessories Guide

Rectangular Floor Brush Head

	 <p>AC8000005 Brush Rectangular S/O Floor 300mm</p>  <p>2 x AC8000011 Extension Tube S/O 500mm</p>  <p>Microfibre Cloth</p>	<p>For hard floor surfaces such as:</p> <ul style="list-style-type: none"> - Tiles - Marble - Most sealed hardwood - Linoleum & Vinyl - Non-slip surfaces <p>Use the floor brush to scrub off hard-to-remove dirt. In stubborn areas use level 2 or 3 steam followed by moderate brushing.</p> <p>Can be fitted with microfibre cloth (clips on top of the head) to be used as a steam mop with trailing microfibre to clean and sanitize floors.</p> <p>Can also be fitted with cushion and microfibre encasing the floor tool. This creates a steam pocket to sanitise carpets, stairs and flood.</p>
--	--	--

Triangular Brush

	 <p>AC8000061 Brush Triangle Red Bristles</p>  <p>2 x AC8000011 Extension Tube S/O 500mm</p>  <p>Microfibre Cloth</p>	<p>For cleaning skirting boards, kitchen benchtops, underneath kitchen cabinets, rangehoods and other areas.</p> <p>Wrap the triangular brush with a microfibre cloth to steam clean upholstery and other surfaces.</p> <p>For use on leather, material, upholstery and hard surfaces.</p>
---	--	--

Detail Nozzle



AC8000002
Nozzle S/O Detail



2 x AC8000011
Extension Tube S/O
500mm



AC0010022 Brush Round
Nylon 30mm



Optional Accessories:
AC0010023 Brush Round
Stainless Steel 30mm



AC0010020 Brush Round
Brass 30mm

For detail cleaning in kitchens, bathrooms and other areas:

- Tile grouts (walls and floors)
- Sinks and taps
- Toilet side lip
- Drains
- Ovens
- Sliding door tracks

For best results when cleaning grout, hold brush on angle to clean sides of the grout line, and then tilt in other direction to clean the other side of the grout line.

Sanitise toilet lip and bowl, basins, drains and taps. Easy to access tricky spot due to the angled detail nozzle.

Simply bust oven dirt and grime with a nylon or stainless steel attachment. Circular motions and medium pressure will remove baked on grease.




Tip: Firmly pressing a steel wool ball into the nylon bristles can accelerate your oven clean.

Optional stainless steel and/or brass brushes can be fitted onto the detailing nozzle to scrub off certain hard-to-remove stains in nooks and crannies. Stainless steel is particularly effective on grout.

Be wary that the stainless steel and brass brushes may scratch certain surfaces, leaving unwanted scratch marks. Always test areas in an inconspicuous spot before proceeding.

Detail brush and nylon brush (optional) can be used to effectively degrease wheel rims and to help remove brake dust.

Window Squeegee

	 <p>AC8000006 Window Squeegee S/O w/ 250mm insert</p>  <p>AC8000075 Window Squeegee S/O 350mm Insert</p>	<p>For cleaning glass surfaces (windows and bathroom mirrors). Spray a stream of steam in a circular motion onto the glass surface, then use the rubber squeegee part to remove water condensation and clean the surface. If using in areas with frosty climates, warm the windows or mirrors by spraying a high stream of steam for a slightly prolonged time before cleaning.</p>
---	--	---

Optional Accessories

Floor Mop Head

	 <p>AC8000016 Mop Head Floor 390mm</p>  <p>AC0020012 Microfibre Mop Pad Floor 390mm</p>  <p>2 x AC8000011 Extension Tube S/O 500mm</p>	<p>For cleaning non-carpeted hard-floor surfaces. Use low to medium steam flow and move forwards and backwards quickly over the floor surface for a sanitised surface clean.</p>
--	--	--

Wall Mop Head

	 <p>AC8000040 Mop Head Wall 250mm</p>  <p>AC0020001 Microfibre Mop Pad Wall 250mm</p>  <p>2 x AC8000011 Extension Tube S/O 500mm</p>	<p>For hard wall surfaces and ceilings. Used for cleaning dirt, dust and food stains off walls and splashbacks. Can also be used to sanitise walls in kitchens and other areas such as cupboards.</p>
---	---	---

Weed Bell

	 <p>2 x AC8000011 Extension Tube S/O 500mm</p>  <p>AC0000021 Weed Killer Bell</p>	<p>Take your steam cleaner into the garden with our Weed bell attachment. Cover weed with bell ensuring the centre steam spray directed at weed. With medium steam hold down over weed for 10-15 seconds. Some weeds depending on size or type may take longer to kill. Assess the results and repeat process up to a week after first application.</p>
---	---	---

Plunger



AC8000004 Plunger

Plunger accessory fits on the end of the detail nozzle. It can then be placed over a sink drain for bathroom and kitchen use.

By blocking the sink, pressure builds up and pushes steam through the s-bend. This can effectively remove blockages and deodorise sinks.

Be wary if your sink has an overflow, that steam will escape and may cause injury. Ensure the overflow is covered tightly with a material which will not heat up and burn you.

Deluxe Iron

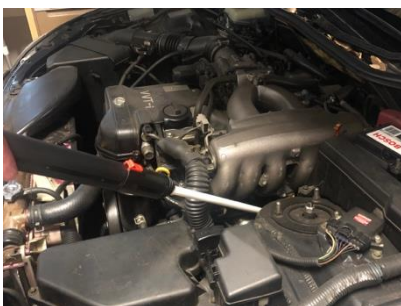


AC0000035
Iron

PP1020003
Silicon Mat

To use the Deluxe Steam Iron, unplug your steam hose and plug in iron. Make sure the machine is 'Ready'. To use as an iron, turn dial to desired temperature and use. To use as steam iron, turn dial to 'Steam' setting and use the trigger to add steam in small pulses. Experiment with level of steam required for desired outcome.

Aluminium Nozzle Long



AC8000065
Nozzle SO Aluminium Long

The Aluminium Long Nozzle can be used to access difficult to reach areas, such as engine bays, inside wheel rims, back of BBQ etc. This straight nozzle acts as a slim extension.

Can be used in drains, through grates, into rangehood and exhaust, to aid cleaning out of reach areas.

Maintenance

Accessory Maintenance

It is recommended that you visually inspect your accessories prior to use. It is important to ensure that your hose and accessories are all in good condition before use. You should ensure all locking clips are undamaged, the flexible hose is in good condition and all O-rings are present. O-rings can be found on some accessories, all extensions and both ends of the hose. If you notice steam leaking from some accessories, check the O-rings from the area where the hose/accessories connection leaks steam. Replace the O-rings if needed.



Boiler maintenance

Water that goes through the boiler contains minerals that solidify to the insides of the boiler causing a limescale build-up. Whenever scaling occurs, the boiler may not heat up to the correct temperature, produce excessively wet steam or in some cases can cause damage to the machine. Preparing the water inside the water tank with the Antical-Spray included with the machine helps prevent excessive scaling of the boiler. 1 spray of the Antical-Spray into a full water tank is recommended every three months when you're refilling the machine with clean water. If hardwater is used, Antical-Spray is required more frequently. Use 1 spray of the Antical-Spray each time the machine is filled with water to prevent the build up of limescale.

Proper care and maintenance will ensure your machine is functioning at its optimum level with every use. For our steam only machines, simply drain the boiler and check that the O-rings are in good condition. It is best to drain the Saphira's boiler every 1-3 months. This can be done in a few easy steps. You will need:



- A dish or container that can hold at least 2 litres of water
- A rag
- The supplied boiler drainage tool

Turn the machine off and make sure the machine isn't plugged into a power source. Make sure to only drain when the machine is cold and not under pressure. If the machine is still warm, do NOT attempt to open the machine as the drainage nut will be hot. Even with zero pressure the boiler may still be hot. Let the machine cool down completely.



Fig.1

Fig.2

Fig. 3

Fig.4

Tilt the machine backward 45 degrees onto the lugs between the wheels (fig. 1 and fig. 2). The machine will balance on these lugs allowing you to slide a dish or container underneath the boiler drainage nut for the boiler to drain into. Use the supplied drain tool and unscrew the boiler plug by turning counter-clockwise (fig. 3). Once you have loosened the boiler plug a little, you can wrap the boiler plug with a rag and unscrew it by hand until it comes off. Using a rag is optional, however wrapping the boiler plug with a rag decreases the chances of hurting yourself while increasing the grip. Once the nut is removed, allow for the boiler to completely drain (fig. 4). Water should drain out and depending on how old or how often you use the machine, there may be sediments and/or limescales that drains out with the water. As water drains out, you can give the machine a little shake to remove excess sediments or limescales that may be trapped in the nooks of the boiler.

Once all the water has drained out completely, check the O-ring on the nut (fig. 5), replace if damaged or showing any cracks or splits. Tighten the drain nut firmly, making sure to not over-tighten (fig. 6). Fill the reserve tank with water and turn on the machine, ready for use (fig. 7).

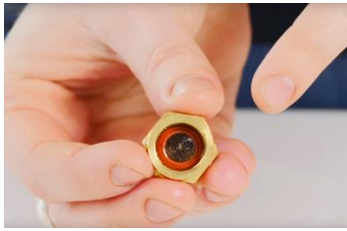


Fig. 5



Fig. 6



Fig. 7

Servicing

It is recommended that your machine be serviced by an authorised service agent every 12 months. More frequent servicing is recommended if the machine is used frequently, particularly in areas with hard water, or if the boiler has been subjected to contaminated water.

The Saphira C8 may present certain symptoms depending on age, water quality or rough use. Usually a visual inspection is adequate to determine and rectify any abnormal symptoms.

1. Steam leaking from hose plug/accessories

Check the O-rings from the area where the hose/accessories connection leaks steam. Replace the O-rings if needed. Replacement O-rings suitable for use with the machine are supplied by Steam Australia and participating authorised service agents.

2. Drop in steam pressure at all steam level settings

Follow the steps in “Boiler Maintenance” to drain the boiler. If problem persists, contact your local authorised service agents.

If you are unsure about any symptoms you should stop use of the steam cleaner and contact Steam Australia or your local authorised service agent.

Warranty

Warranty Terms and Conditions

Steam Australia warrants that the products and services it provides are free from defective design, materials and workmanship and are fit for the purpose they are intended for a period of 24 months for machines, 24 months for boilers and 3 months for service, repair and spare parts.

Note: Warranty does not cover damage resulting from fair wear and tear, misuse including the use of incorrect accessories or consumables, wilful damage, use beyond specification or design, unauthorised alterations or additions. This includes addition of chemical or distilled water to the water tank, snapped accessories due to excessive force, damaged or missing power plug pins etc.

Warranty is decided by Steam Australia at its sole discretion.

Making a Warranty Claim

If you are experiencing issues with your machine your machine must be returned to an authorised repairer or place of purchase for assessment. If you are unsure where to take your machine, please contact Steam Australia for assistance.